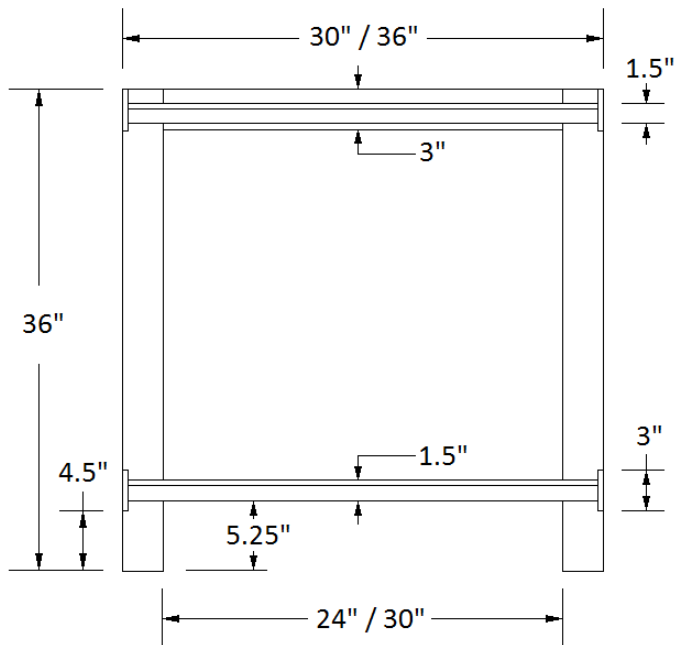
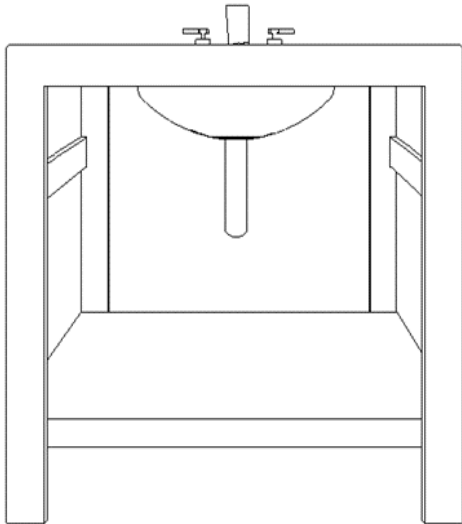


P. O. # \_\_\_\_\_  
 Dealer Name: \_\_\_\_\_  
 Dealer Contact Name: \_\_\_\_\_  
 Dealer Phone: \_\_\_\_\_  
 Dealer Contact Email: \_\_\_\_\_  
 SHIP TO: \_\_\_\_\_  
 Address: \_\_\_\_\_  
 City: \_\_\_\_\_ State: \_\_\_\_\_ Zip: \_\_\_\_\_  
 Phone: \_\_\_\_\_

## COLE



### Vanity:

- COLE30      ■ Qty: \_\_\_\_\_
- COLE36      ■ Qty: \_\_\_\_\_

### Metal Frame:

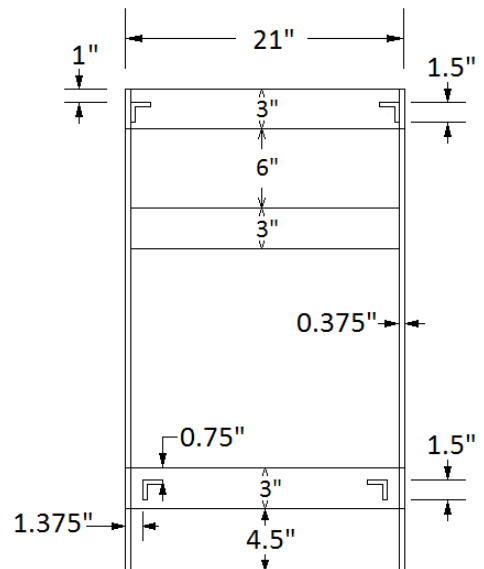
- 3/8" THICK COLD-ROLLED STEEL

### Metal Finish:

- FROSTED CHARCOAL
- PEWTER GLITTER
- BENGAL SILVER

### Wood Shelf Options:

- MAPLE, UNFINISHED
- WALNUT, NATURAL FINISH
- MAHOGANY, NATURAL FINISH
- QUARTER SAWN WHITE OAK, STORM GRAY STAIN



Side View