

Hood Features:

- Clean lines and straight edges
- Custom built to your specifications

Details

- 14ga steel
- If a fan/hood liner is desired, please send us the make, model, and spec sheet for your liner.



ST1200 range hood

Frame Materials

- Steel ✓
- Stainless Steel ✓

Additional Options

- Vent Chase (ST1210) ✓
- Hood Liner (Fan) may be provided by customer ✓

Banding & Accents

- None(default) ✓
- Flat Banding ✓
- Forged Banding ✓
- Aged Banding ✓
- Old World Accents ✓
- Transitional Accents ✓

Additional Info:

- None(default) ✓
- Modern Rivets ✓
- Rustic Rivets ✓

Banding Details

- Banding available as vertical or horizontal
- Available in 1", 1.25", 1.5", & 2" width
- Priced per Band/Accent

Rivet Details

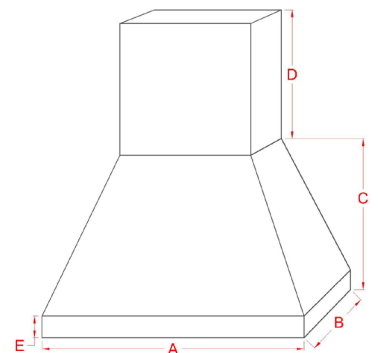
- Size not adjustable
- Priced per rivet



Burnished Copper w/ Old World Accents



Hot Roll Natural w/ transitional accents



Shown with optional vent chase

Finishes

The following finishes are available for the ST1200 Range Hood.

Standard Finishes

Matte Black	✓
Textured Black	✓
Bronzed Iron	✓
Oil Rubbed Bronze	✓
Charcoal	✓
Aspire Rust	✓
Weathered Brown	✓
Champagne	✓
Copper Vein	✓
Silver Vein	✓
Silver Mist	✓
Clear Natural	✓
<i>Forged/Aged banding only</i>	
White	✓

Premium Finishes*

Antique Black	✓
<i>only available for frame and flat banding</i>	
Antique Steel	✓
<i>only available for frame and flat banding</i>	
Antique Red	✓
Antique Grey	✓
Antique Bronze	✓
Antique White	✓
Burnished Bronze	✓
Burnished Copper	✓
Burnished Silver	✓
Metallic Latte	✓
Rust Patina	✓
Hot Roll Natural	✓
Industrial Black	✓

Solid Finishes*

Aged Copper	✓
<i>only available for flat banding</i>	
Aged Brass	✓
<i>only available for flat banding</i>	
Newport Brass	✓
<i>only available for flat banding and modern rivets</i>	
Brushed Stainless	✓
<i>only available for frame and flat banding</i>	
Polished Stainless	✓
<i>only available for flat banding and modern rivets</i>	
Polished Nickel	✓
<i>only available for flat banding and modern rivets</i>	