

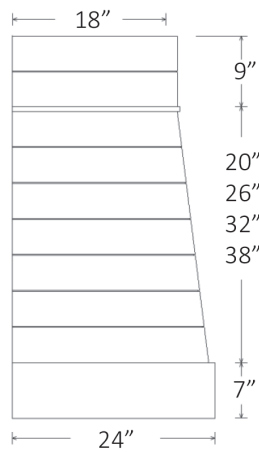
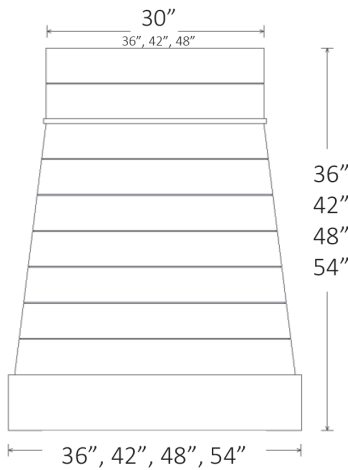
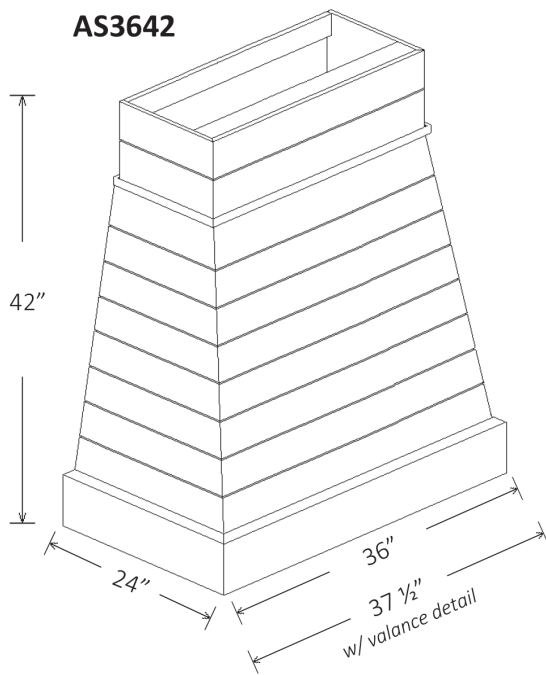
P.O. # _____
 Dealer Contact Name: _____
 Dealer Phone: _____
 Dealer Contact Email: _____
 SHIP TO: _____
 Address: _____
 City: _____ State: _____ Zip: _____

FINISH COLOR: _____

FINISH ENHANCEMENTS:

- LINEN GLAZE BRUSHED BROWN GLAZE
- KHAKI GLAZE BRUSHED GRAY GLAZE
- PEWTER GLAZE HEIRLOOM BROWN
- CHOCOLATE GLAZE HEIRLOOM GRAY
- COFFEE GLAZE RUB-THROUGH
- VINTAGE

ASHEVILLE
AS3642



Hood:	
<input checked="" type="checkbox"/> Asheville AS _____	■ Qty: _____
Species:	
<input type="checkbox"/> Maple	<input type="checkbox"/> Quarter Sawn White Oak
Size:	
■ Width: <input type="checkbox"/> 36" <input type="checkbox"/> 42" <input type="checkbox"/> 48" <input type="checkbox"/> 54"	
<i>Inside box: 34.5" 40.5" 46.5" 52.5"</i>	
■ Height: <input type="checkbox"/> 36" <input type="checkbox"/> 42" <input type="checkbox"/> 48" <input type="checkbox"/> 54"	
■ Depth: <input type="checkbox"/> 24" <i>inside box: 22.5"</i>	
<i>*outside box dimensions; excludes trim detail</i>	
Valance Detail:	
<input checked="" type="checkbox"/> 7" Smooth	
<i>*note trim projections, add to box dimensions</i>	
Face Detail:	
<input checked="" type="checkbox"/> Shiplap	
Removable Access Panel:	
<input type="checkbox"/> NO	<input type="checkbox"/> YES

Estimate 5 weeks lead time for delivery.