

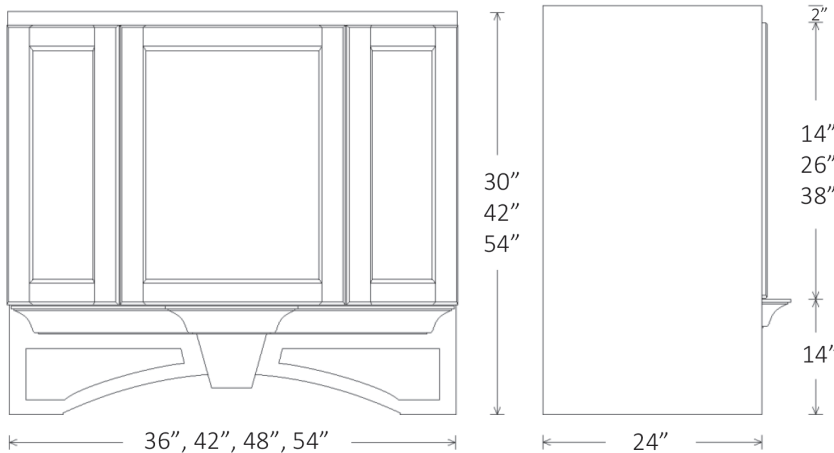
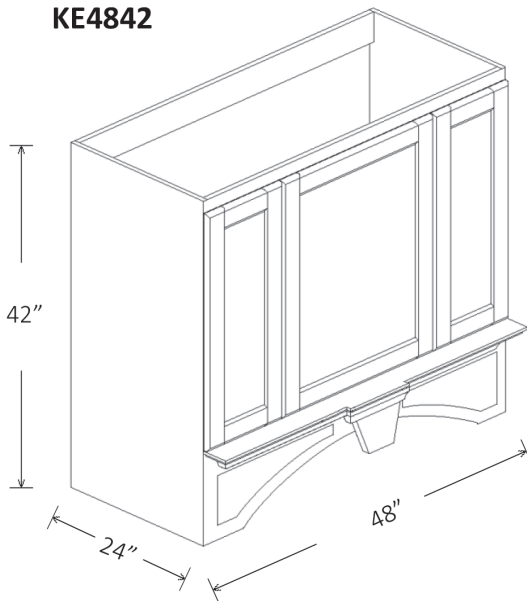
P.O. # _____
 Dealer Contact Name: _____
 Dealer Phone: _____
 Dealer Contact Email: _____
 SHIP TO: _____
 Address: _____
 City: _____ State: _____ Zip: _____

FINISH COLOR [PAINT ONLY]: _____

FINISH ENHANCEMENTS:

- LINEN GLAZE BRUSHED BROWN GLAZE
- KHAKI GLAZE BRUSHED GRAY GLAZE
- PEWTER GLAZE HEIRLOOM BROWN
- CHOCOLATE GLAZE HEIRLOOM GRAY
- COFFEE GLAZE VINTAGE

**KEYSTONE
KE4842**



Hood:	
<input checked="" type="checkbox"/> Keystone KE _____	■ Qty: _____
Species:	
<input checked="" type="checkbox"/> Maple	
Size:	
■ Width: <input type="checkbox"/> 36" <input type="checkbox"/> 42" <input type="checkbox"/> 48" <input type="checkbox"/> 54"	
<i>Inside box:</i> 34.5" 40.5" 46.5" 52.5"	
■ Height: <input type="checkbox"/> 30" <input type="checkbox"/> 42" <input type="checkbox"/> 54"	
■ Depth: <input type="checkbox"/> 24" <i>inside box: 22.5"</i>	
<i>*outside box dimensions; excludes trim detail</i>	
Crown Shelf Detail Options:	
<input type="checkbox"/> CLASSIC	<input type="checkbox"/> COVE <input type="checkbox"/> COVE BEAD
<i>*note trim projections, add to box dimensions</i>	
Dummy Door Options:	
<input type="checkbox"/> CLASSIC	<input type="checkbox"/> SHAKER
<i>*Integrated valance profile will match door</i>	
Removable Access Panel:	
<input type="checkbox"/> NO	<input type="checkbox"/> YES

**Estimate 5 weeks lead time
for delivery.**