

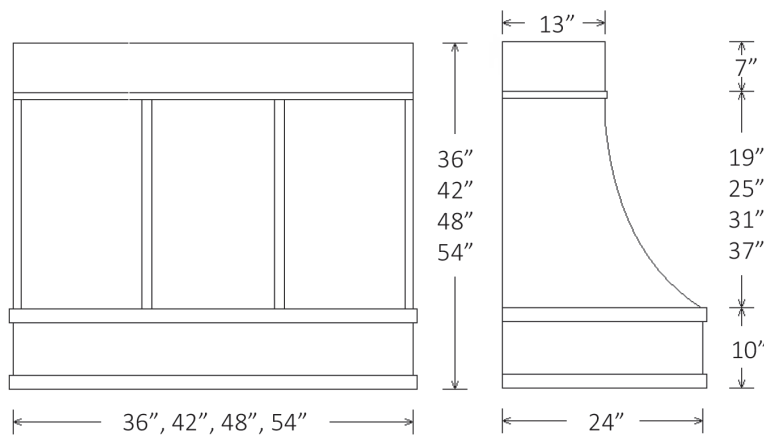
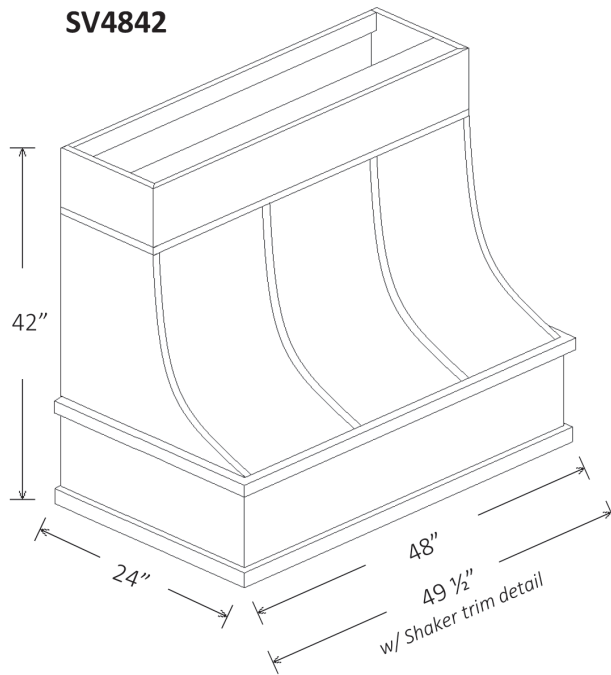
P.O. # \_\_\_\_\_  
 Dealer Contact Name: \_\_\_\_\_  
 Dealer Phone: \_\_\_\_\_  
 Dealer Contact Email: \_\_\_\_\_  
 SHIP TO: \_\_\_\_\_  
 Address: \_\_\_\_\_  
 City: \_\_\_\_\_ State: \_\_\_\_\_ Zip: \_\_\_\_\_

**FINISH COLOR:** \_\_\_\_\_

**FINISH ENHANCEMENTS:**

- LINEN GLAZE                       BRUSHED BROWN GLAZE
- KHAKI GLAZE                       BRUSHED GRAY GLAZE
- PEWTER GLAZE                       HEIRLOOM BROWN
- CHOCOLATE GLAZE                       HEIRLOOM GRAY
- COFFEE GLAZE                       RUB-THROUGH
- VINTAGE

**SAVANNAH**  
**SV4842**



<b>Hood:</b>	
<input checked="" type="checkbox"/> Savannah SV _____	<input checked="" type="checkbox"/> Qty: _____
<b>Species:</b>	
<input checked="" type="checkbox"/> Maple	
<b>Size:</b>	
■ Width: <input type="checkbox"/> 36" <input type="checkbox"/> 42" <input type="checkbox"/> 48" <input type="checkbox"/> 54" <i>Inside box:      34.5"    40.5"    46.5"    52.5"</i>	
■ Height: <input type="checkbox"/> 36" <input type="checkbox"/> 42" <input type="checkbox"/> 48" <input type="checkbox"/> 54"	
■ Depth: <input type="checkbox"/> 24" <i>inside box: 22.5"</i>	
<i>*outside box dimensions; excludes trim detail</i>	
<b>Trim Detail Options:</b>	
<input type="checkbox"/> CLASSIC	<input type="checkbox"/> COVE <input type="checkbox"/> SHAKER
<i>*note trim projections, add to box dimensions</i>	
<b>Face Detail:</b>	
<input checked="" type="checkbox"/> Smooth with Applied Battens	
<b>Removable Access Panel:</b>	
<input type="checkbox"/> NO	<input type="checkbox"/> YES

**Estimate 5 weeks lead time for delivery.**