

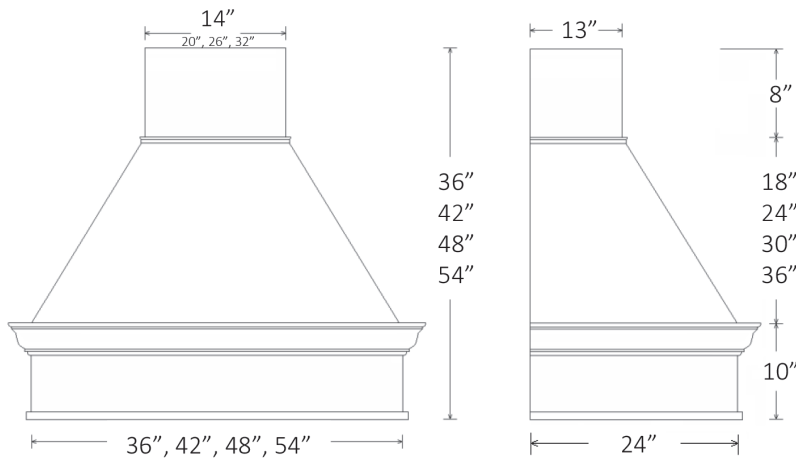
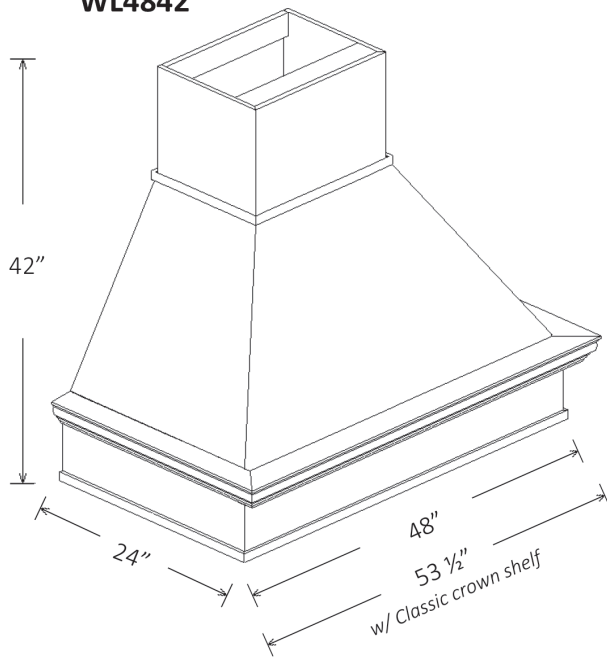
P.O. # \_\_\_\_\_  
 Dealer Contact Name: \_\_\_\_\_  
 Dealer Phone: \_\_\_\_\_  
 Dealer Contact Email: \_\_\_\_\_  
 SHIP TO: \_\_\_\_\_  
 Address: \_\_\_\_\_  
 City: \_\_\_\_\_ State: \_\_\_\_\_ Zip: \_\_\_\_\_

**FINISH COLOR:** \_\_\_\_\_

**FINISH ENHANCEMENTS:**

- LINEN GLAZE                       BRUSHED BROWN GLAZE
- KHAKI GLAZE                       BRUSHED GRAY GLAZE
- PEWTER GLAZE                       HEIRLOOM BROWN
- CHOCOLATE GLAZE                       HEIRLOOM GRAY
- COFFEE GLAZE                       RUB-THROUGH
- VINTAGE

**WILMINGTON**  
**WL4842**



<b>Hood:</b> <input checked="" type="checkbox"/> Wilmington WL _____    ■ Qty: _____	
<b>Species:</b> <input checked="" type="checkbox"/> Maple	
<b>Size:</b> ■ Width: <input type="checkbox"/> 36" <input type="checkbox"/> 42" <input type="checkbox"/> 48" <input type="checkbox"/> 54" <i>Inside box:    34.5"    40.5"    46.5"    52.5"</i> ■ Height: <input type="checkbox"/> 36" <input type="checkbox"/> 42" <input type="checkbox"/> 48" <input type="checkbox"/> 54" ■ Depth: <input type="checkbox"/> 24" <i>inside box: 22.5"</i> <i>*outside box dimensions; excludes trim detail</i>	
<b>Crown Shelf Detail Options:</b> <input type="checkbox"/> CLASSIC <input type="checkbox"/> COVE <input type="checkbox"/> COVE BEAD 	
<i>*note trim projections, add to box dimensions</i>	
<b>Face Detail:</b> <input checked="" type="checkbox"/> Smooth	<b>Base Detail:</b> <input checked="" type="checkbox"/> Classic 
<b>Removable Access Panel:</b> <input type="checkbox"/> NO <input type="checkbox"/> YES* *Applied Battens Included	

**Estimate 5 weeks lead time for delivery.**