

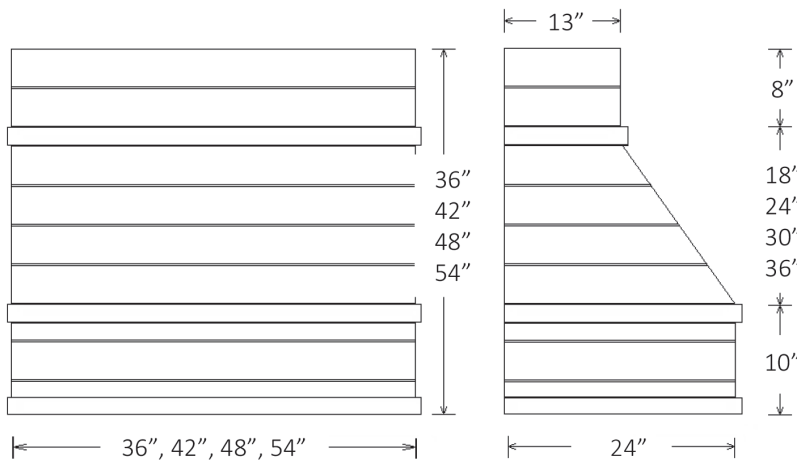
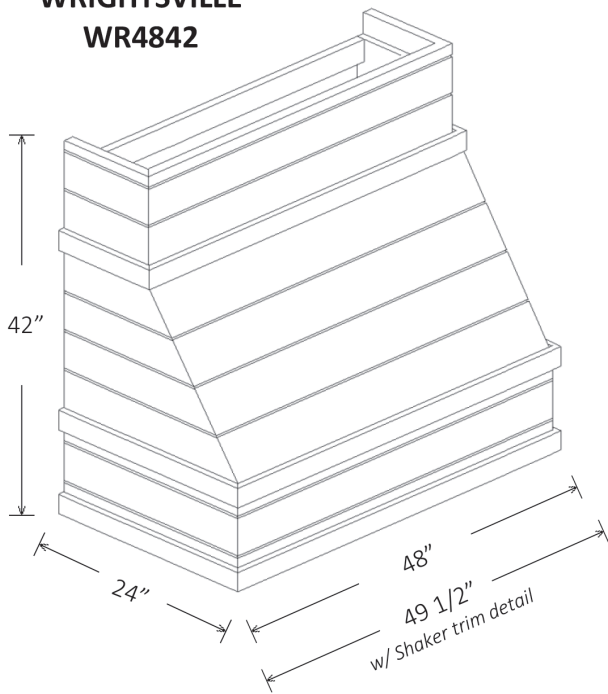
P.O. # \_\_\_\_\_  
 Dealer Contact Name: \_\_\_\_\_  
 Dealer Phone: \_\_\_\_\_  
 Dealer Contact Email: \_\_\_\_\_  
 SHIP TO: \_\_\_\_\_  
 Address: \_\_\_\_\_  
 City: \_\_\_\_\_ State: \_\_\_\_\_ Zip: \_\_\_\_\_

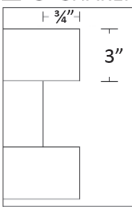
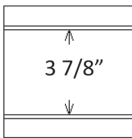
**FINISH COLOR:** \_\_\_\_\_

**FINISH ENHANCEMENTS:**

- LINEN GLAZE                       BRUSHED BROWN GLAZE
- KHAKI GLAZE                       BRUSHED GRAY GLAZE
- PEWTER GLAZE                       HEIRLOOM BROWN
- CHOCOLATE GLAZE                       HEIRLOOM GRAY
- COFFEE GLAZE                       RUB-THROUGH
- VINTAGE

**WRIGHTSVILLE**  
**WR4842**



<p><b>Hood:</b>  <input checked="" type="checkbox"/> Wrightsville WR _____    ■ Qty: _____</p>
<p><b>Species:</b>  <input checked="" type="checkbox"/> Maple</p>
<p><b>Size:</b>                  ■ Width: <input type="checkbox"/> 36"   <input type="checkbox"/> 42"   <input type="checkbox"/> 48"   <input type="checkbox"/> 54"  <i>Inside box:    34.5"    40.5"    46.5"    52.5"</i>                  ■ Height: <input type="checkbox"/> 36"   <input type="checkbox"/> 42"   <input type="checkbox"/> 48"   <input type="checkbox"/> 54"                  ■ Depth: <input type="checkbox"/> 24"   <i>inside box: 22.5"</i>  <i>*outside box dimensions; excludes trim detail</i></p>
<p><b>Trim Detail:</b>  <input checked="" type="checkbox"/> 3" SHAKER</p>  <p><i>*note trim projections, add to box dimensions</i></p>
<p><b>Face Detail:</b>  <input checked="" type="checkbox"/> Shiplap</p> 
<p><b>Removable Access Panel:</b>  <input type="checkbox"/> NO                      <input type="checkbox"/> YES</p>

**Estimate 5 weeks lead time for delivery.**